

TM-17



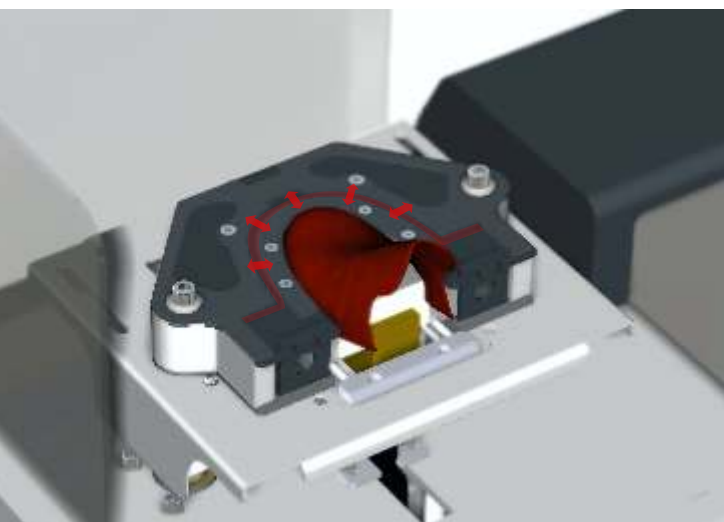
Toe Molding Machine With Two cold stations and Double humidifier

- Supreme toe shaping with self adjusted pneumatic cushion
- Powerful humidifier with heat and steam function
- Digital upper shape learning function



Get maximum control of upper toe shaping

Our new state of the art design with accurate digitally controlled head movement lets you acquire full control access of the toe shaping procedure



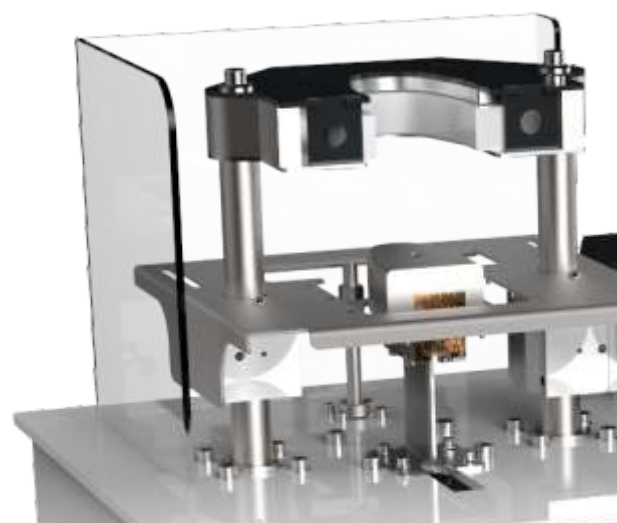
Supreme toe shaping with self adjusted pneumatic cushion

Our flexible yet powerful and easily convertible cushion self adapts on your upper designs and offers you perfect toe shaping



Digital Upper Shaping Learning Function

Activate the new learning function - Do it once and make it easy and simple for anyone results in high productivity and quality improvement



Technical Data

OPERATION	Electric-Pneumatic
PRESSURE	6 Bar
CAPACITY (8 hours)	1000 pairs
VOLTAGE	400VAC three phase 50Hz
POWER	5000 W
DIMENSIONS (mm)	1400 X 507 X 1100
WEIGHT	400Kgs



Olympic Engineering Ltd
 4 Papazoglou str, GR 177 78
 Athens, Greece
 TEL.: +30 210 48 36 343,5,6
 FAX: +30 210 48 36 342
 E-mail: info@olympicLtd.gr
 www.olympicLtd.gr